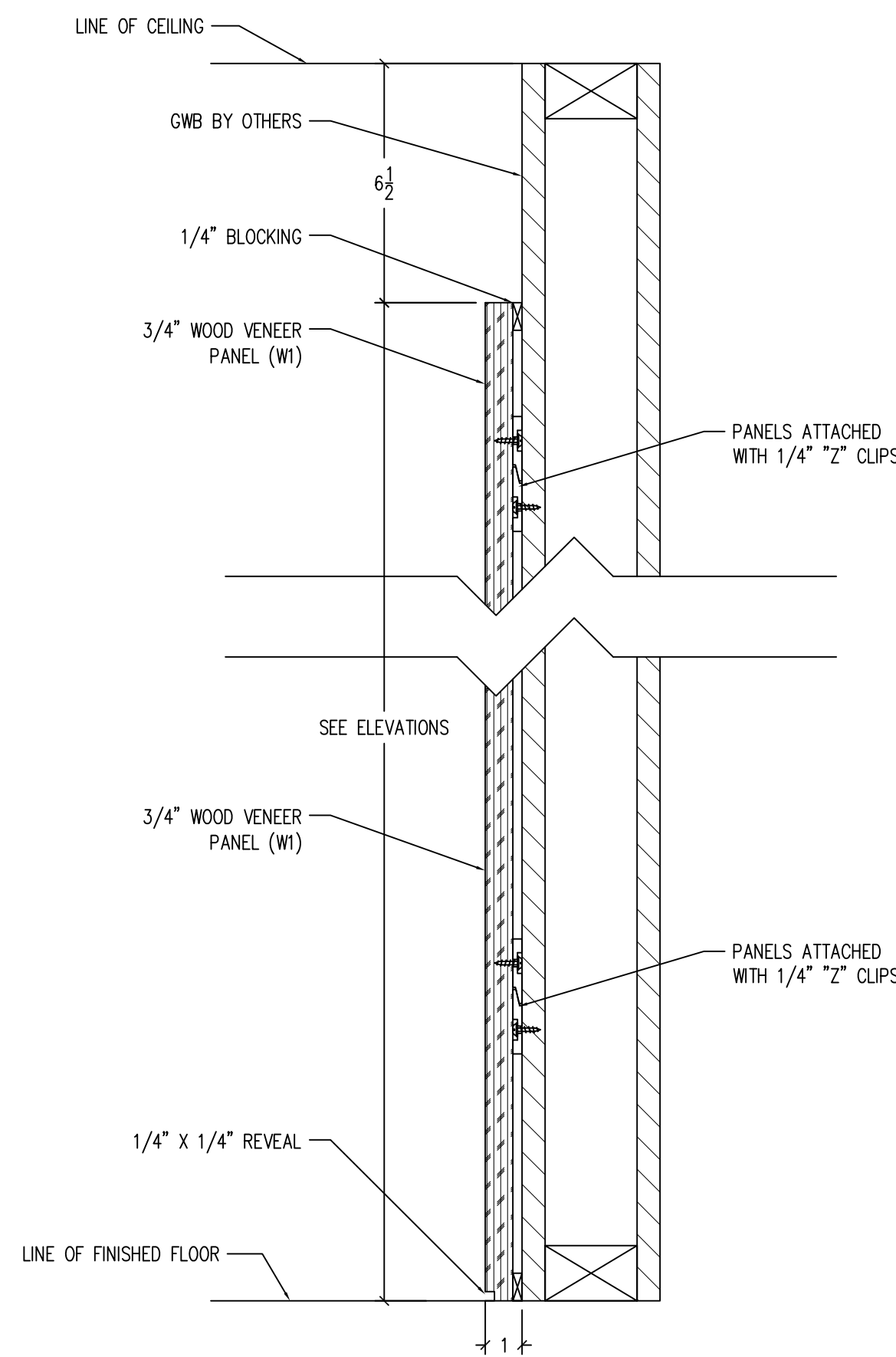
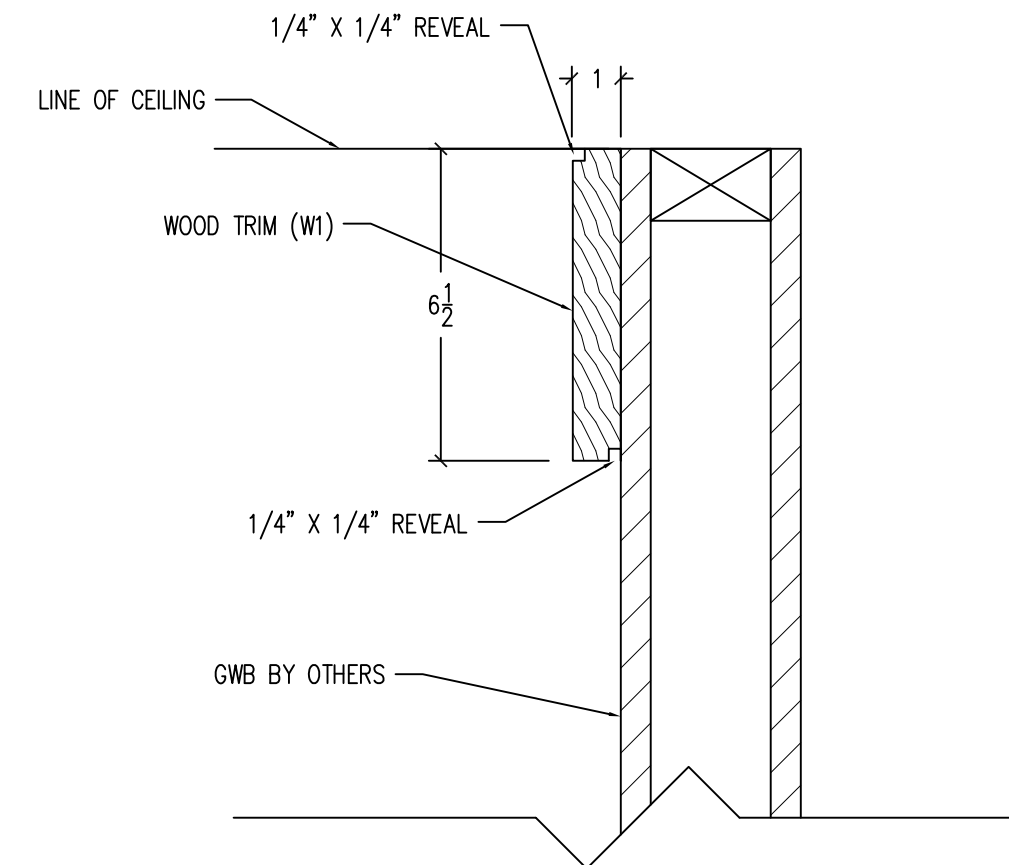


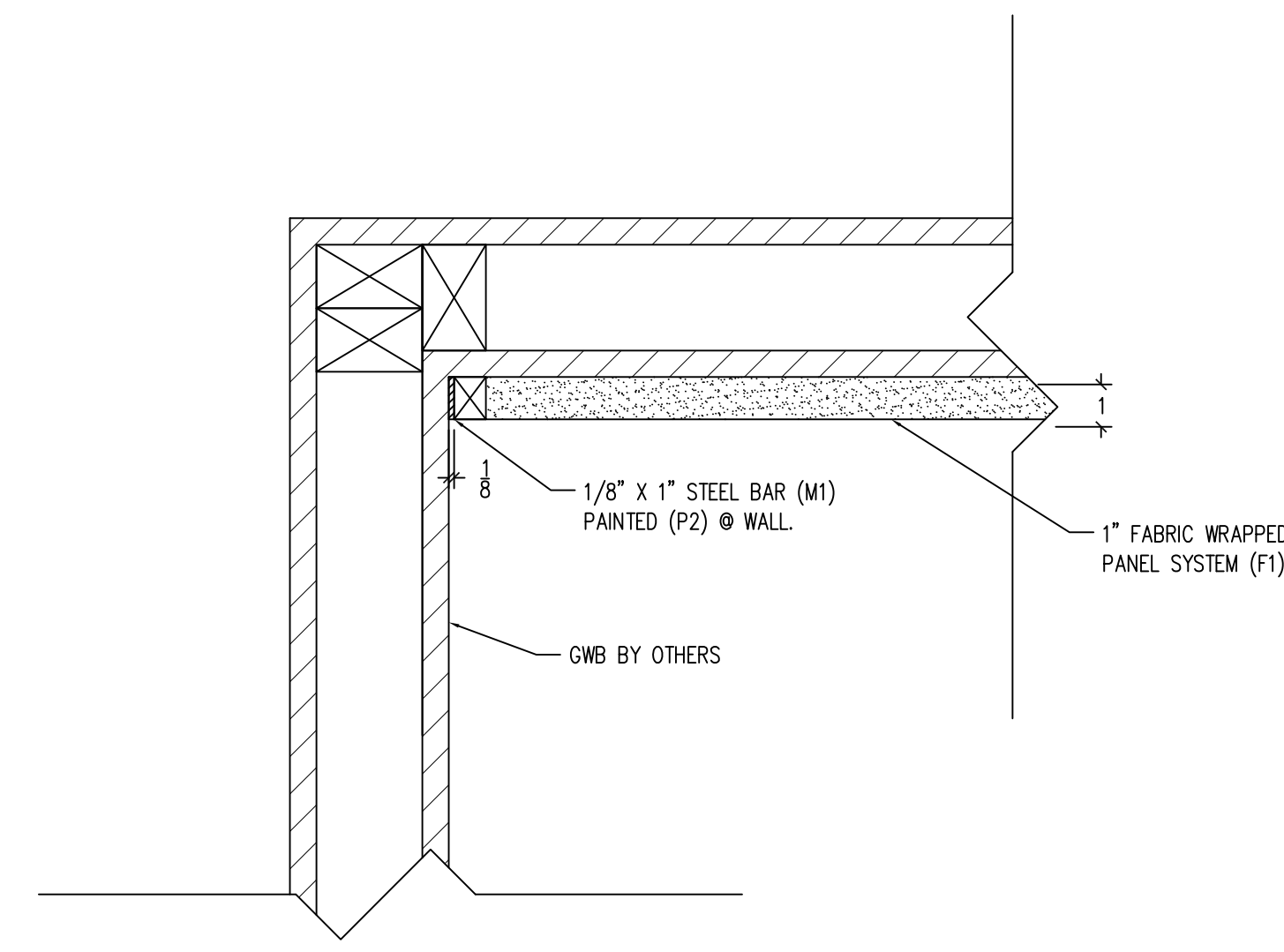
1-20 SECTION @ LEATHER WRAPPED PANELS
3423-1-3 2'-1"



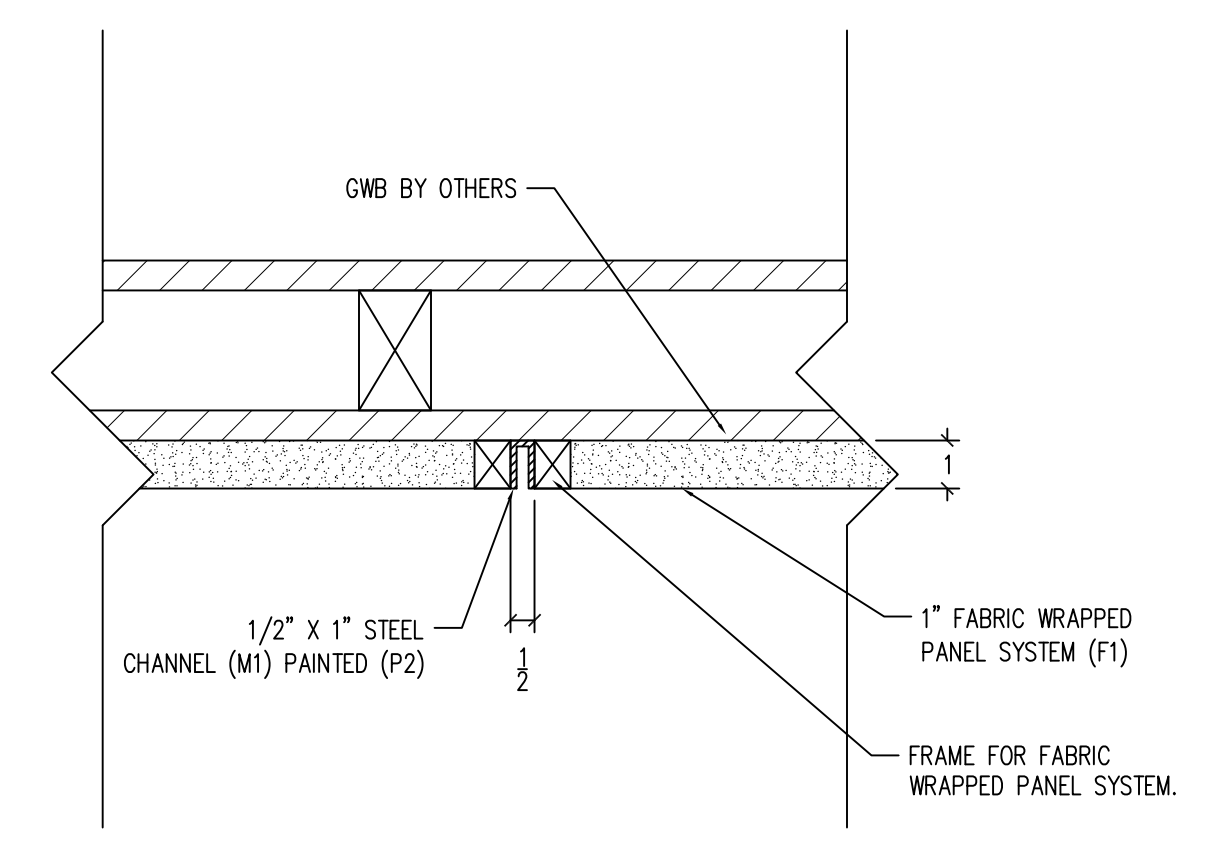
1-21 SECTION @ WOOD VENEER PANELS
3423-1-3 2'-1"



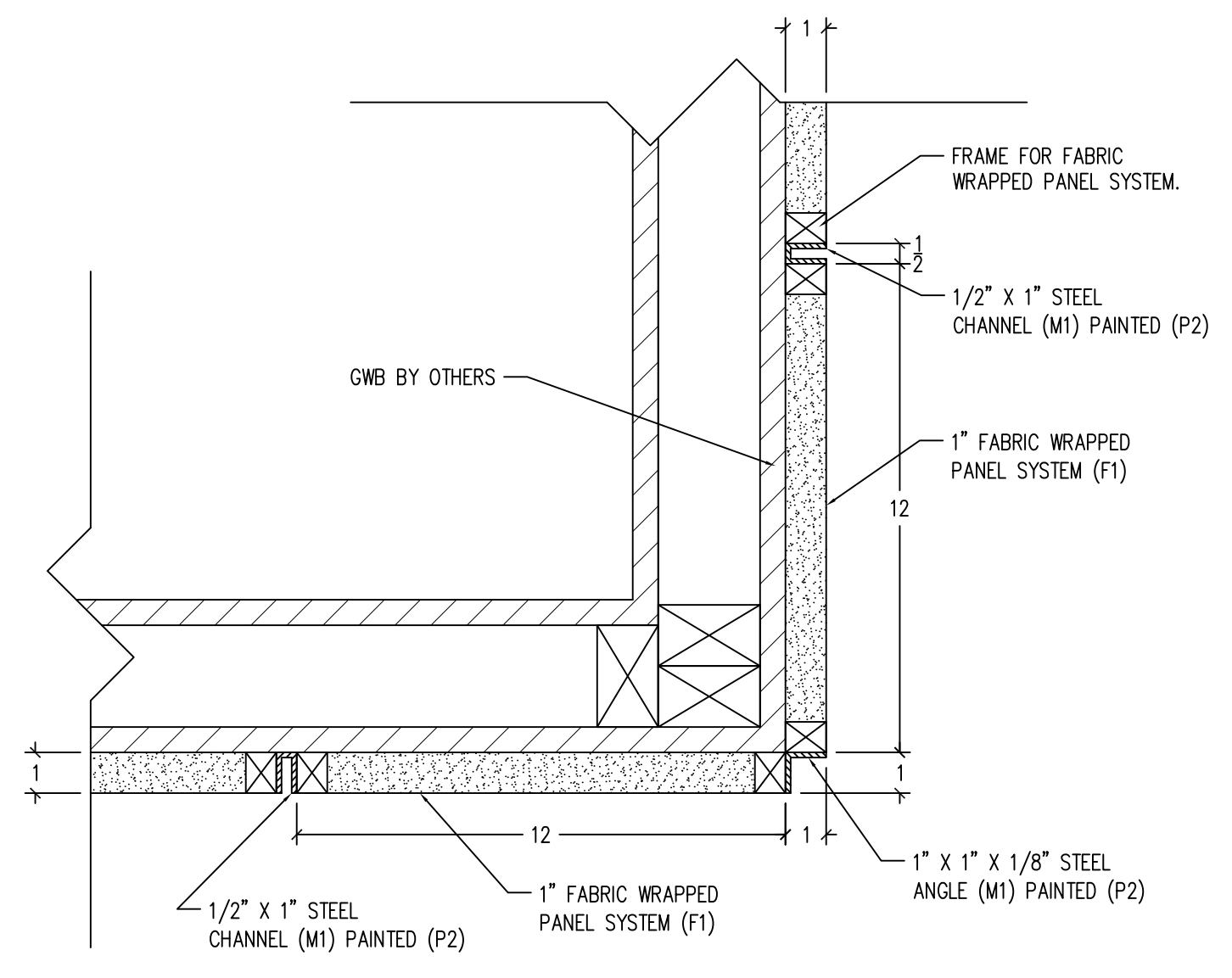
1-22 SECTION @ CEILING COVE TRIM
3423-1-3 2'-1"



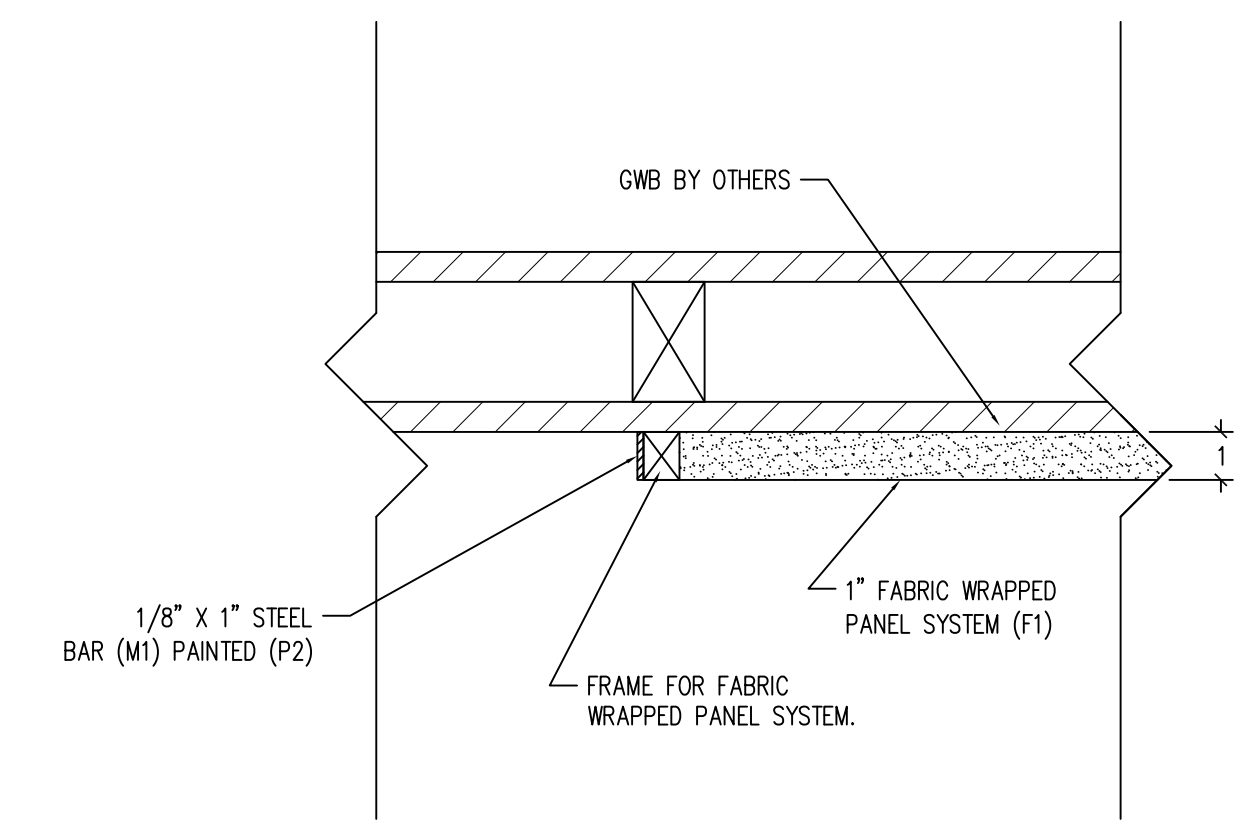
1-23 SECTION @ LEATHER WRAPPED PANELS
3423-1-3 2'-1"



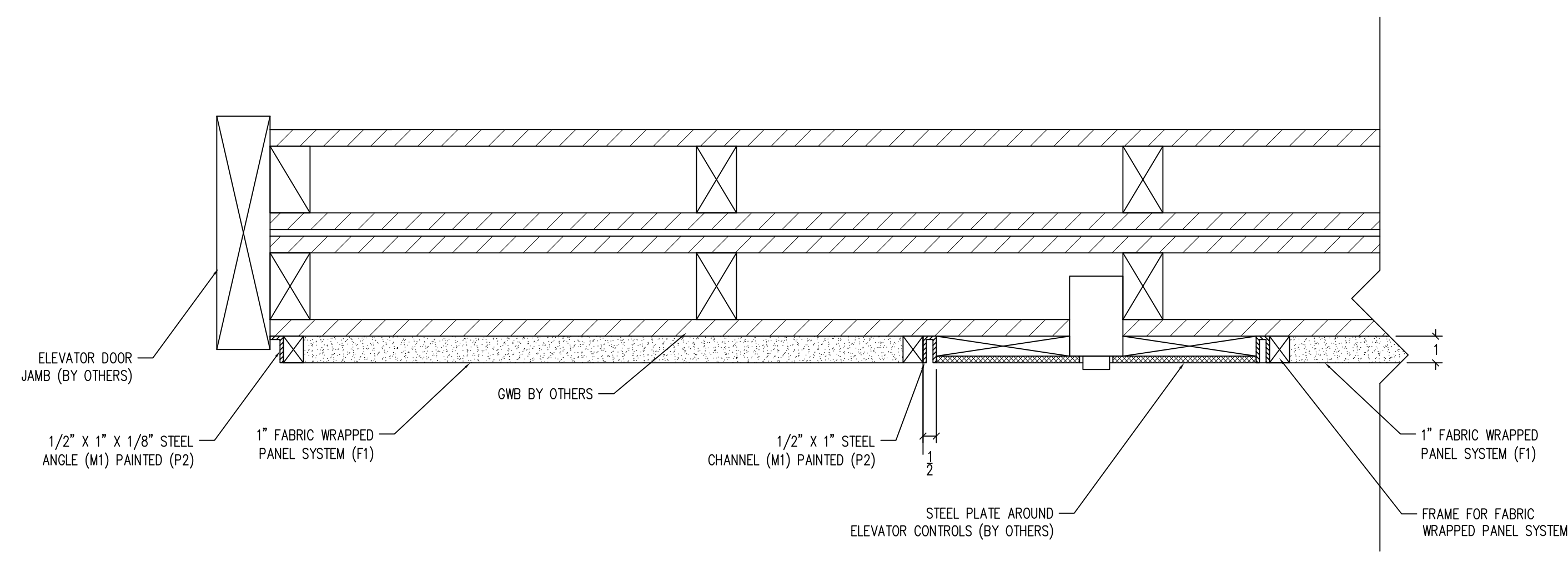
1-24 SECTION @ STEEL CHANNEL REVEAL
3423-1-3 2'-1"



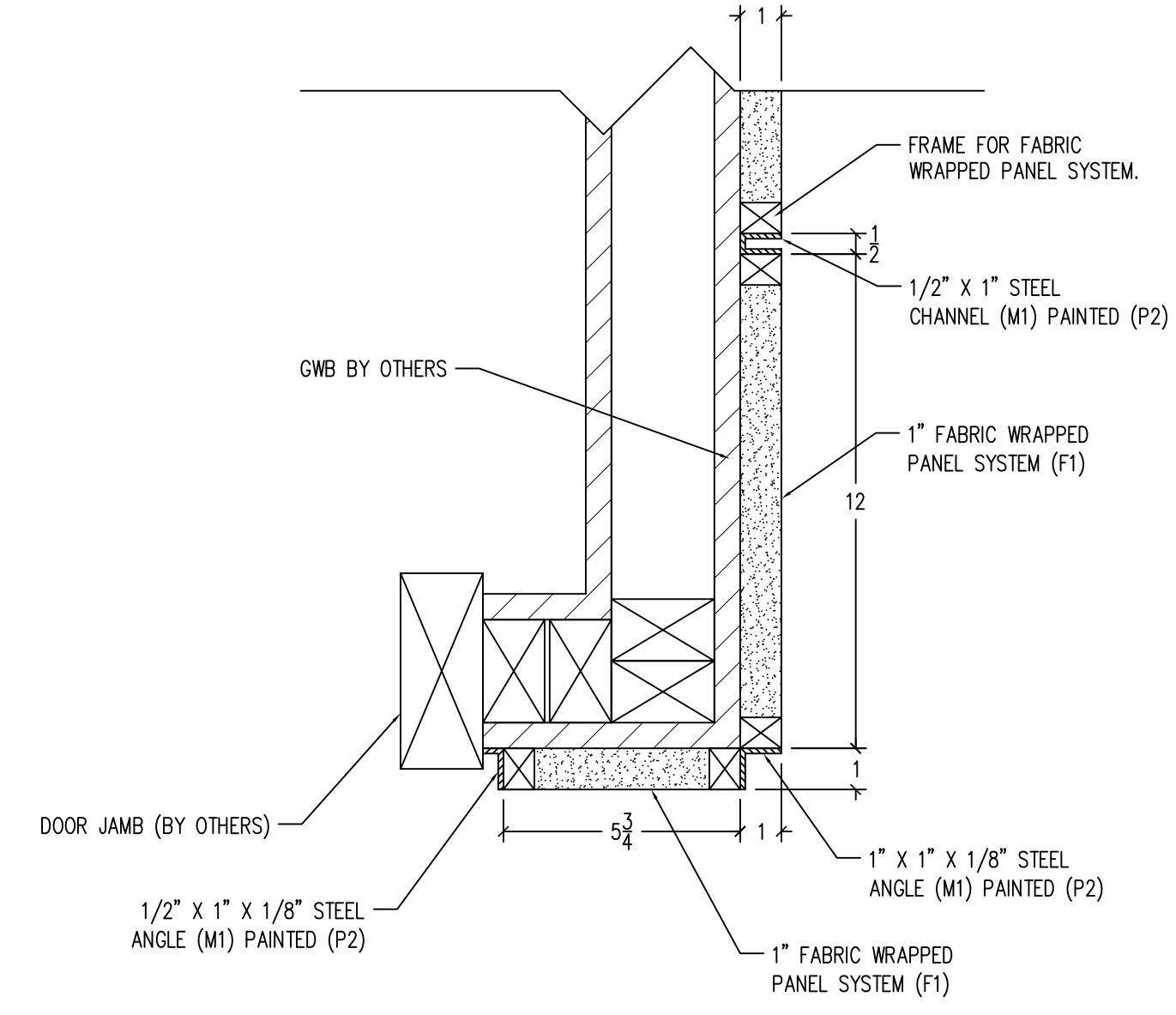
1-25 SECTION @ LEATHER PANEL CORNER
3423-1-3 2'-1"



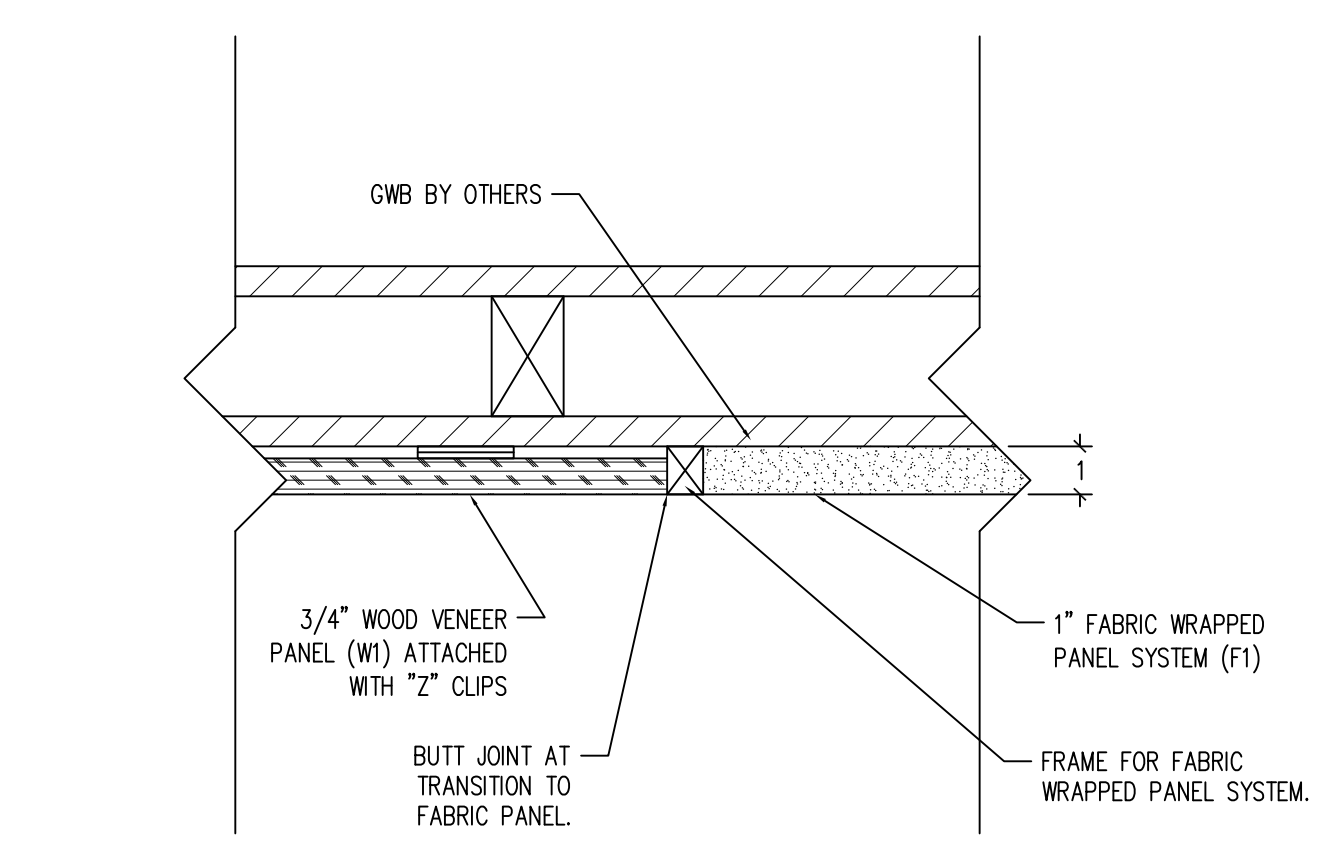
1-26 SECTION @ FABRIC PANEL END
3423-1-3 2'-1"



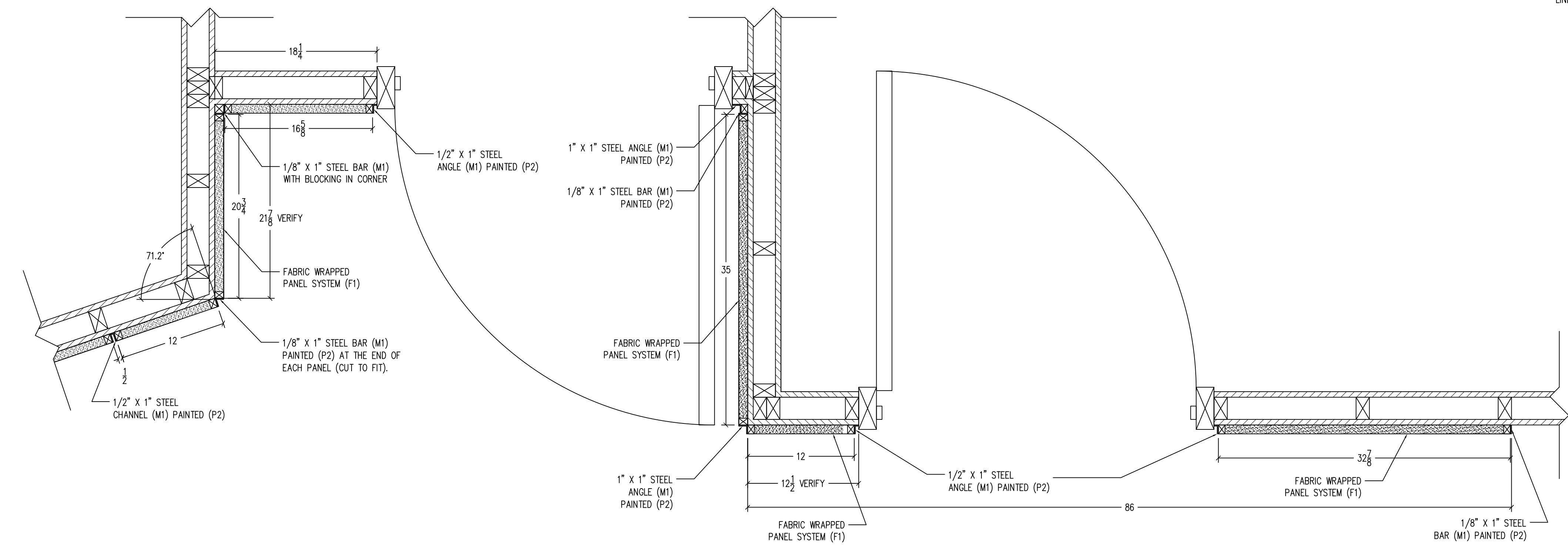
1-27 SECTION @ ELEVATOR WALL
3423-1-3 2'-1"



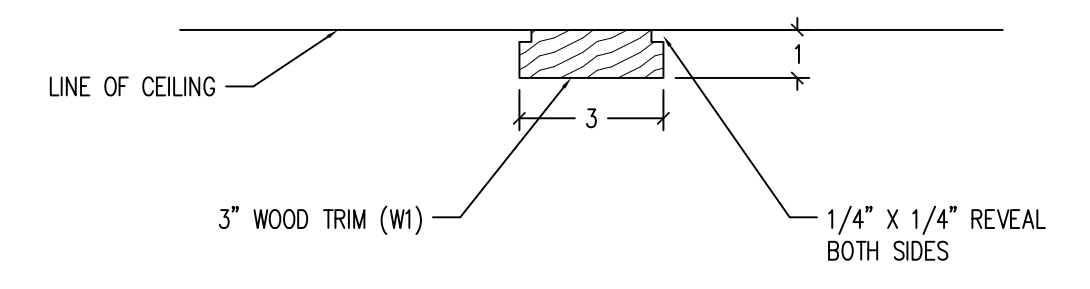
1-28 SECTION @ LEATHER PANEL CORNER
3423-1-3 2'-1"



1-29 SECTION @ WOOD/FABRIC TRANSITION
3423-1-3 2'-1"



1-30 SECTION @ RECESSED DOOR AREA
3423-1-3 11/2'-1"



1-31 SECTION @ WOOD CEILING TRIM
3423-1-3 2'-1"