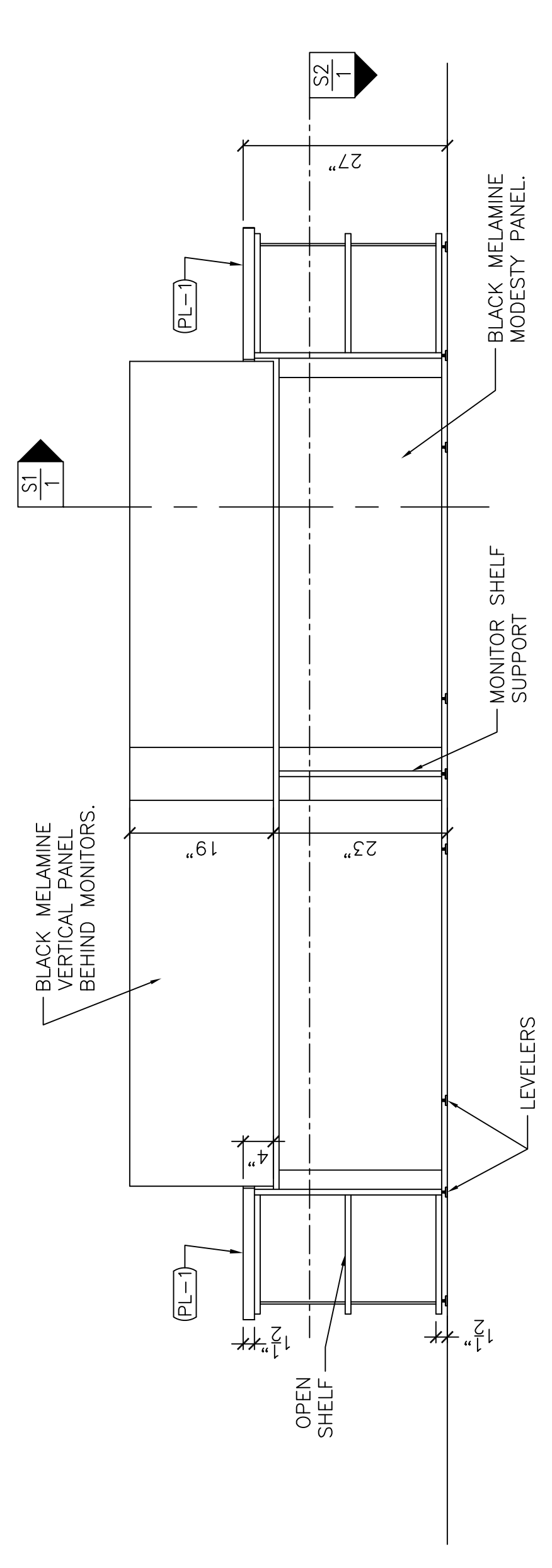
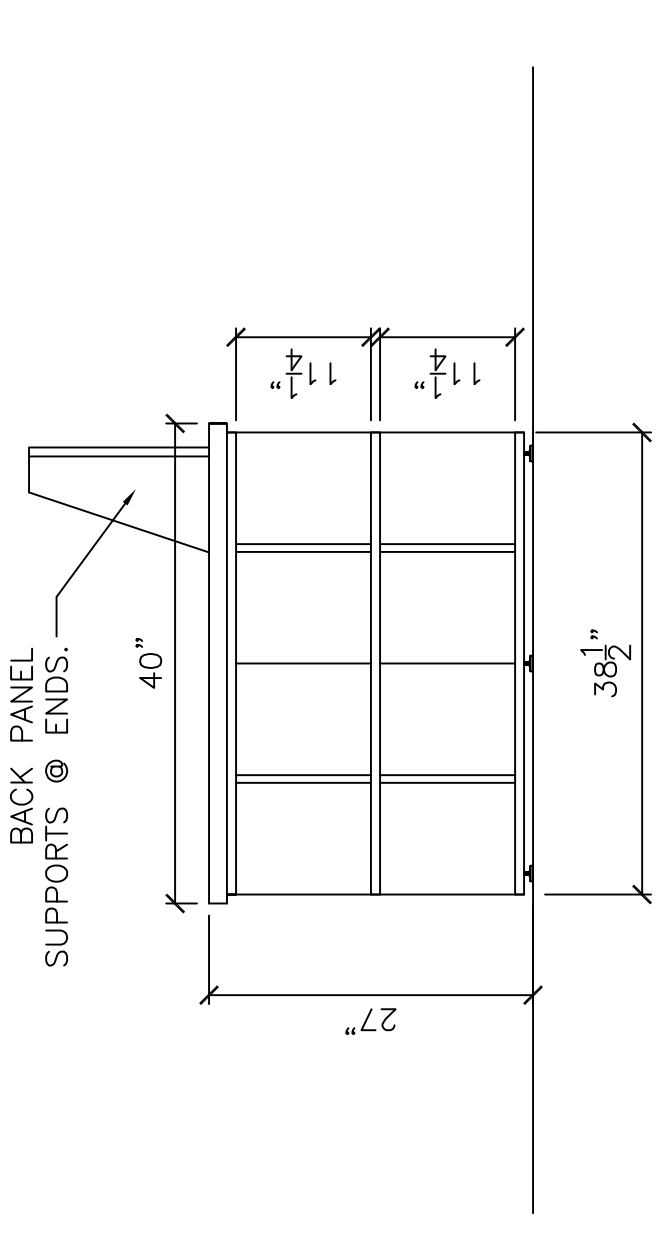


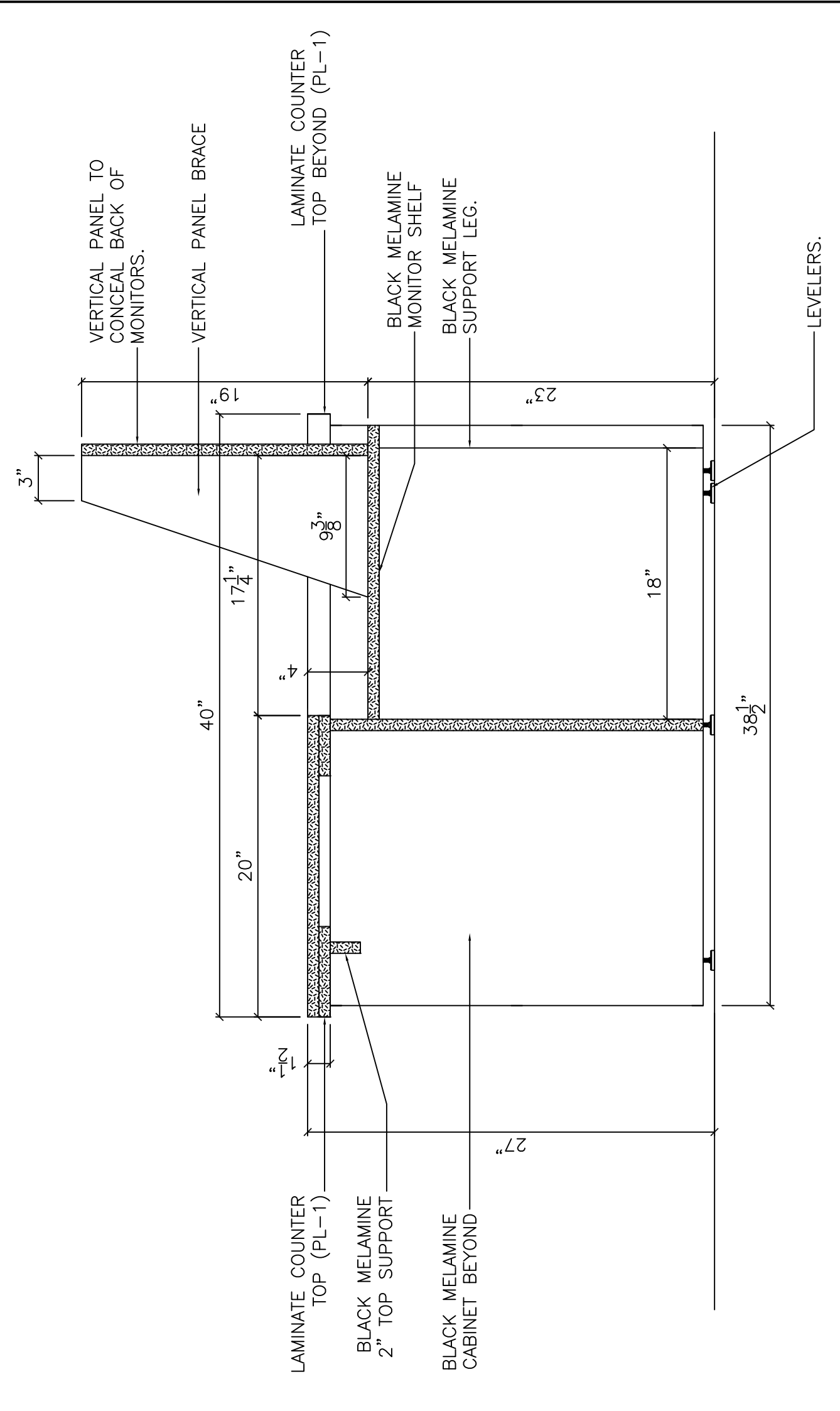
BASE CABINET EXTERIOR COLOR : BLACK MELAMINE  
 COUNTER TOP COLOR : PL-1 = PIONITE W0 581, WISCONSIN OAK FINISH: SUEDE  
 OPEN SHELVING COLOR : BLACK MELAMINE  
 SUPPORTS AND PANEL COLOR : BLACK MELAMINE



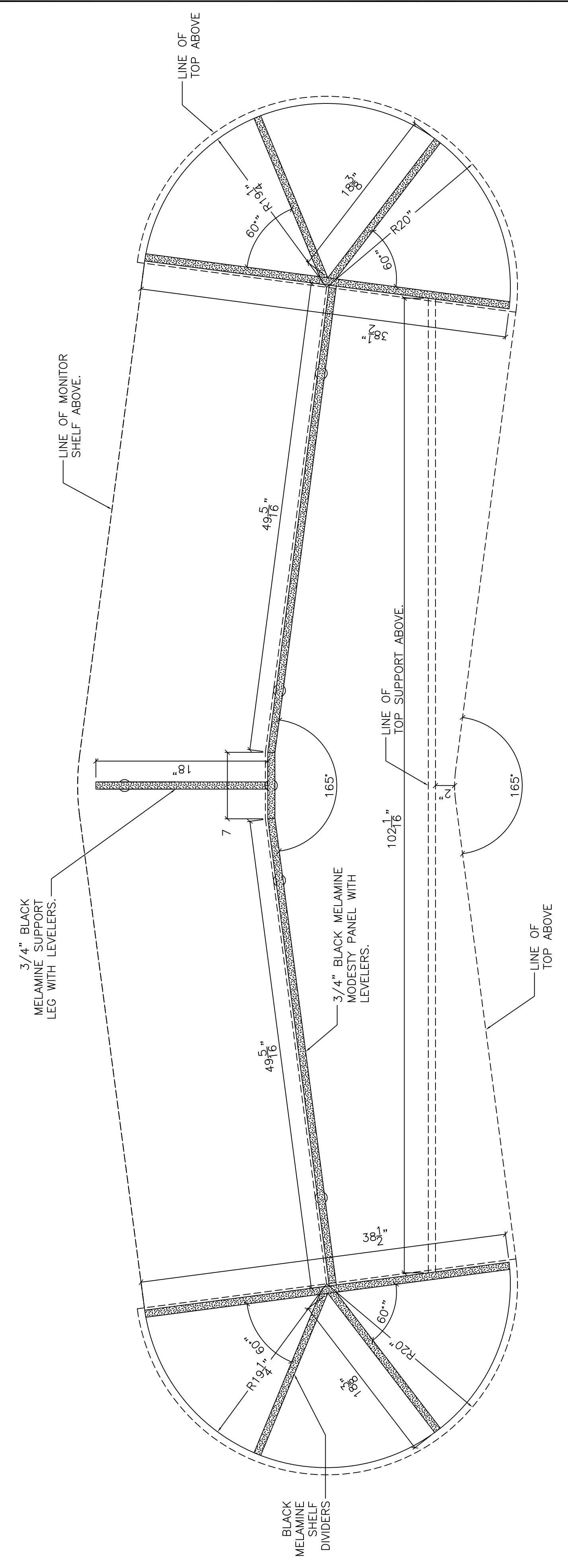
BASE CABINET EXTERIOR COLOR : BLACK MELAMINE  
 COUNTER TOP COLOR : PL-1 = PIONITE W0 581, WISCONSIN OAK FINISH: SUEDE  
 OPEN SHELVING COLOR : BLACK MELAMINE  
 SUPPORTS AND PANEL COLOR : BLACK MELAMINE



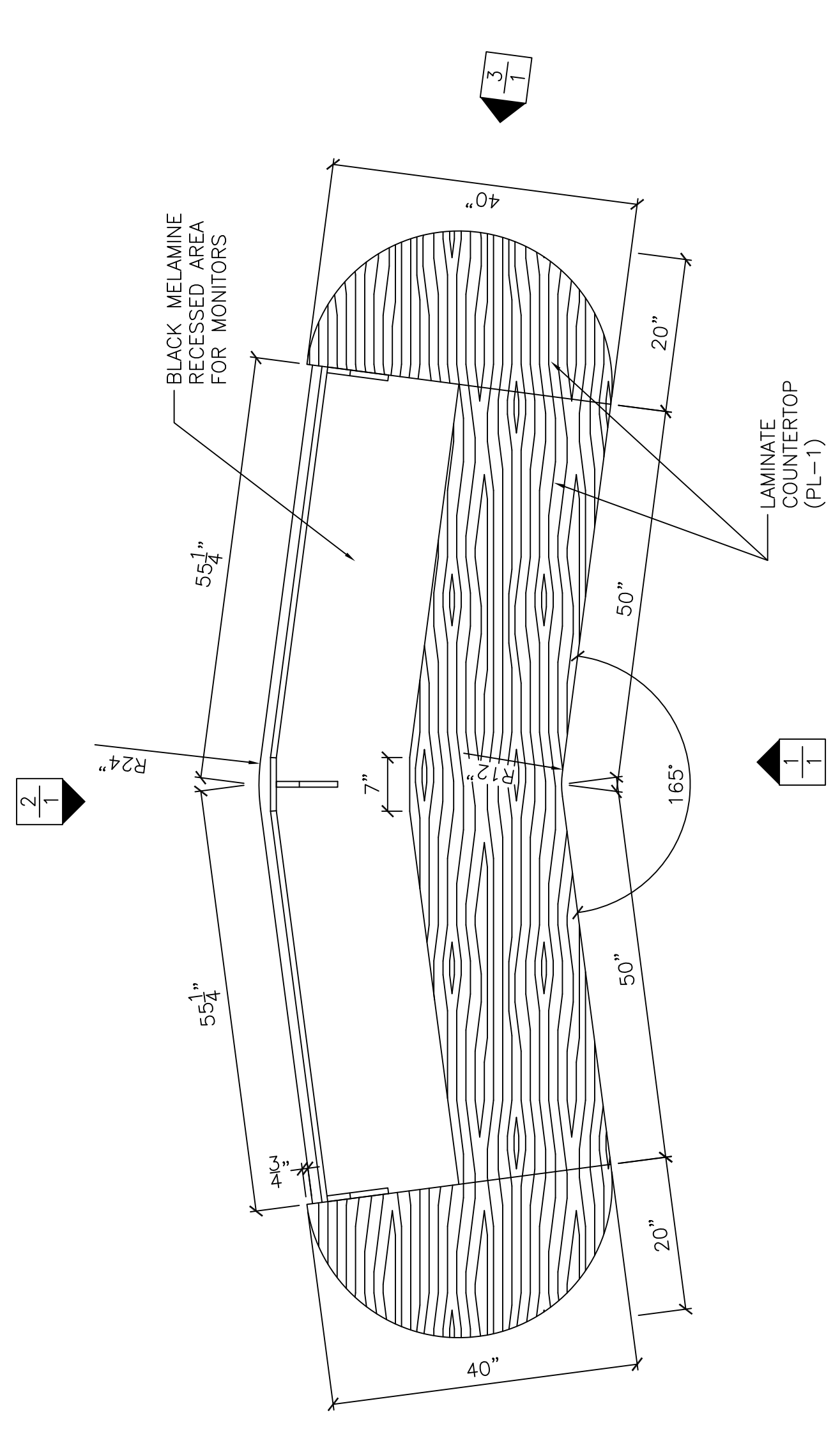
BASE CABINET EXTERIOR COLOR : BLACK MELAMINE  
 COUNTER TOP COLOR : PL-1 = PIONITE W0 581, WISCONSIN OAK FINISH: SUEDE  
 OPEN SHELVING COLOR : BLACK MELAMINE  
 SUPPORTS AND PANEL COLOR : BLACK MELAMINE



S1 VERTICAL SECTION  
SCALE: 1 1/2" = 1'-0"



S2 HORIZONTAL SECTION  
SCALE: 1 1/2" = 1'-0"



NO MATERIALS WILL BE PROCESSED FOR PRODUCTION UNTIL FINAL APPROVED PRINTS ARE RECEIVED. THESE DRAWINGS HAVE BEEN PREPARED FOR USE BY IBS CORPORATION ONLY. WE WILL NOT BE RESPONSIBLE FOR ANY WORK INCURRED FROM THE USE OF OTHER TRADE DRAWINGS OR REVISIONS. IBS CORPORATION IS NOT RESPONSIBLE FOR ANY WORK INCURRED FROM THE USE OF OTHER TRADE DRAWINGS OR REVISIONS BY OTHERS, IN WHOLE OR IN PART, WITHOUT WRITTEN AUTHORIZATION FROM IBS CORP. IS PROHIBITED.		SUBJECT : DESK		DATE : 6/1/09	REV. :
INTERIOR BUILDING SYSTEMS MANUFACTURERS OF ARCHITECTURAL woodwork institute		JOB NAME : EXXON DESK		DATE : 6/1/09	REV. :
JOB # 364VA09		ARCHITECT : N/A		DATE : 6/1/09	REV. :
8501 Buckeye Timber Drive Manassas, Virginia 20109 LOCAL: 703-335-9655 METRO: 703-631-4011 Fax: 703-335-9752		CONTRACTOR: HITT CONTRACTING		DATE : 6/1/09	REV. :
DWG # 1		CHECKER :		DATE : 6/1/09	REV. :
		DRAWN BY: PDS		DATE : 6/1/09	REV. :