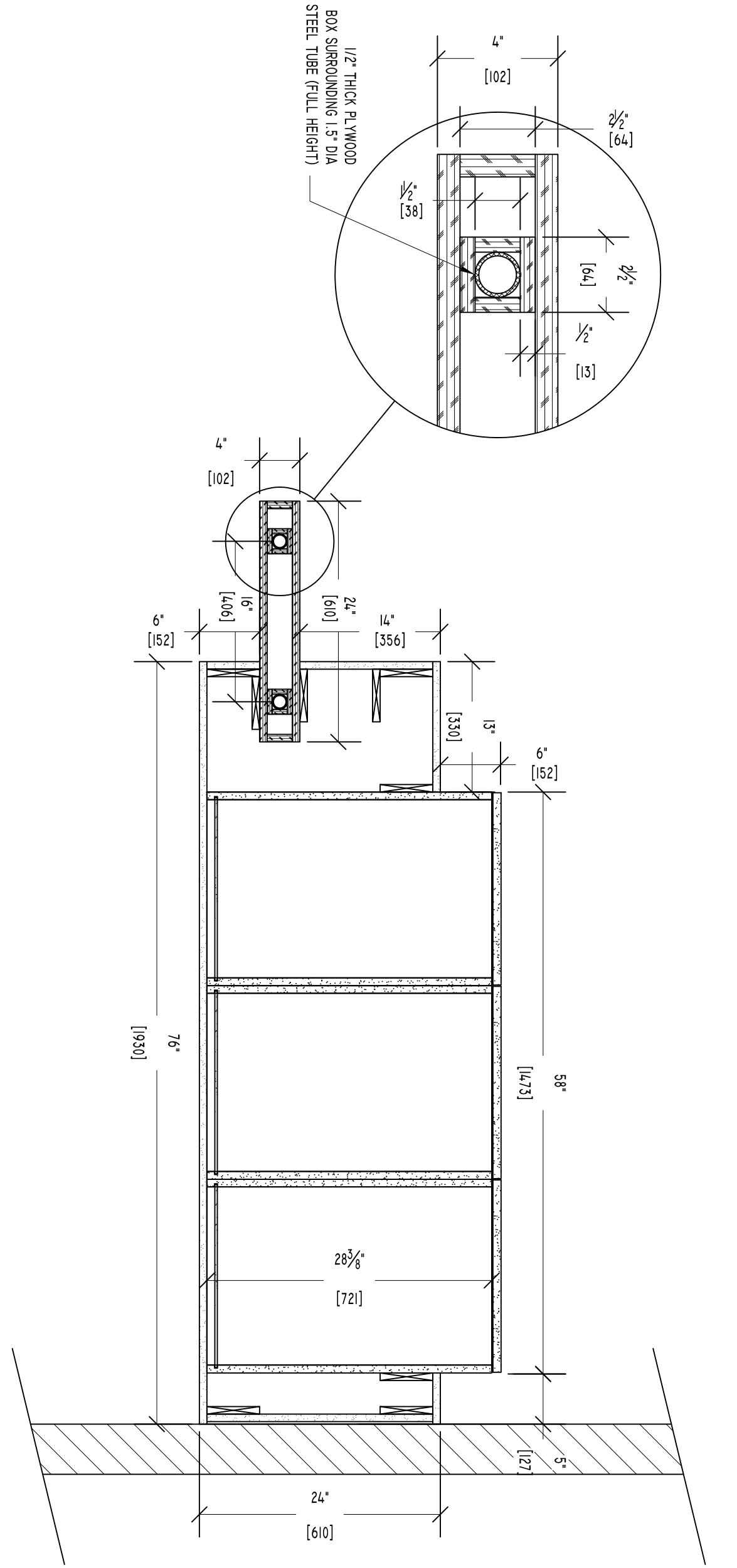
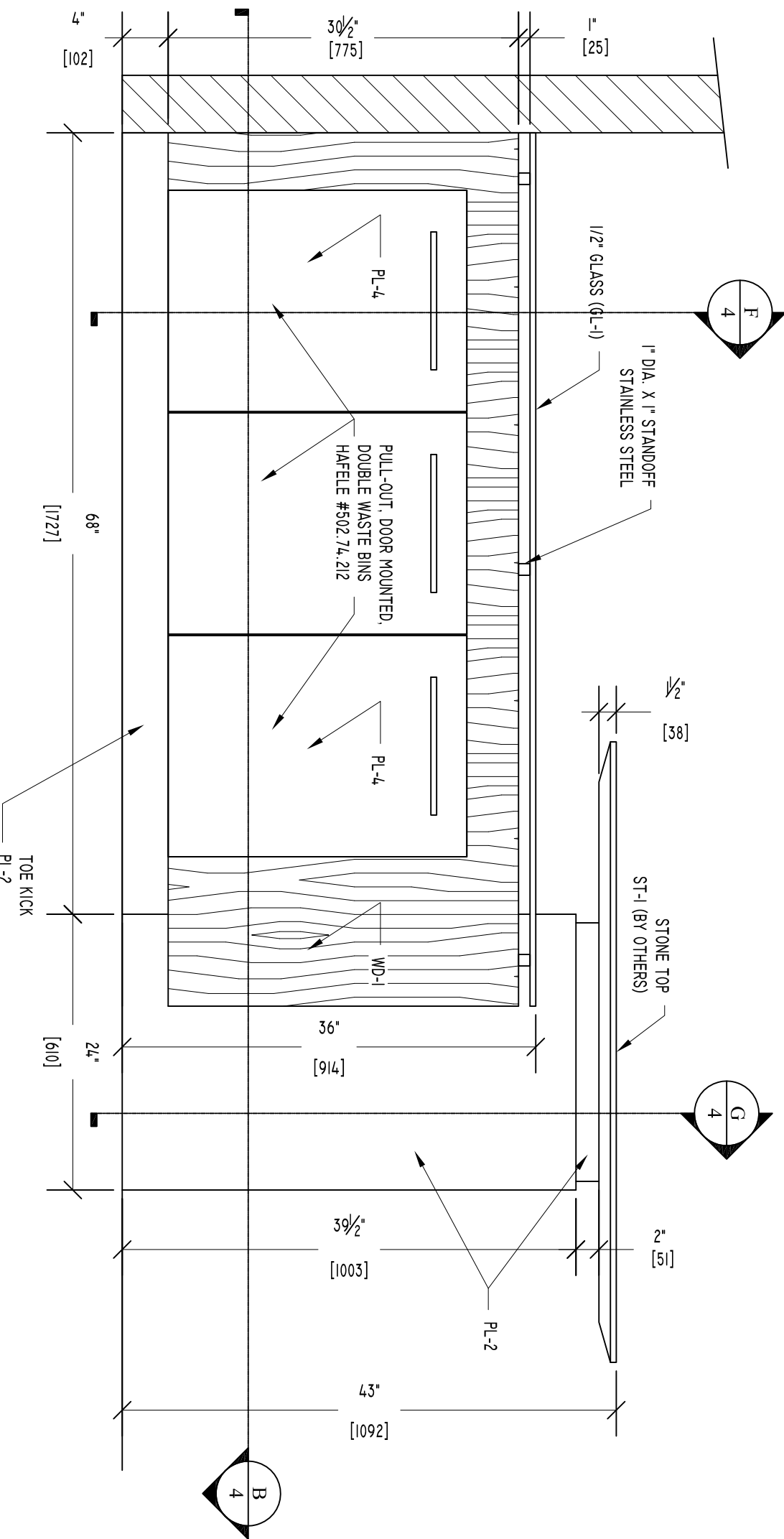


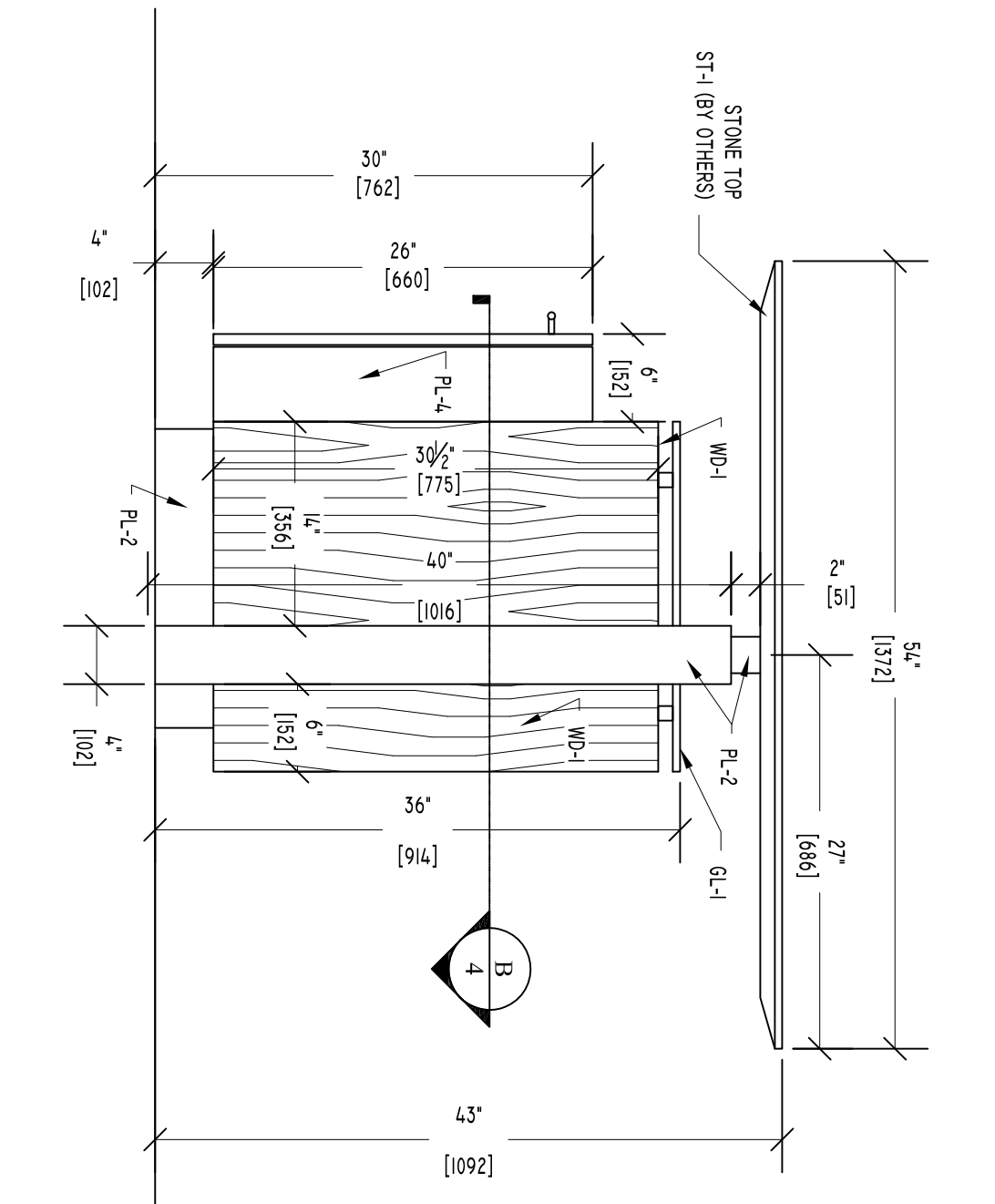
**A**  
PLAN - ASSOCIATES HUB  
SCALE: 1" = 1'-0"  
REF: 1/A7.64



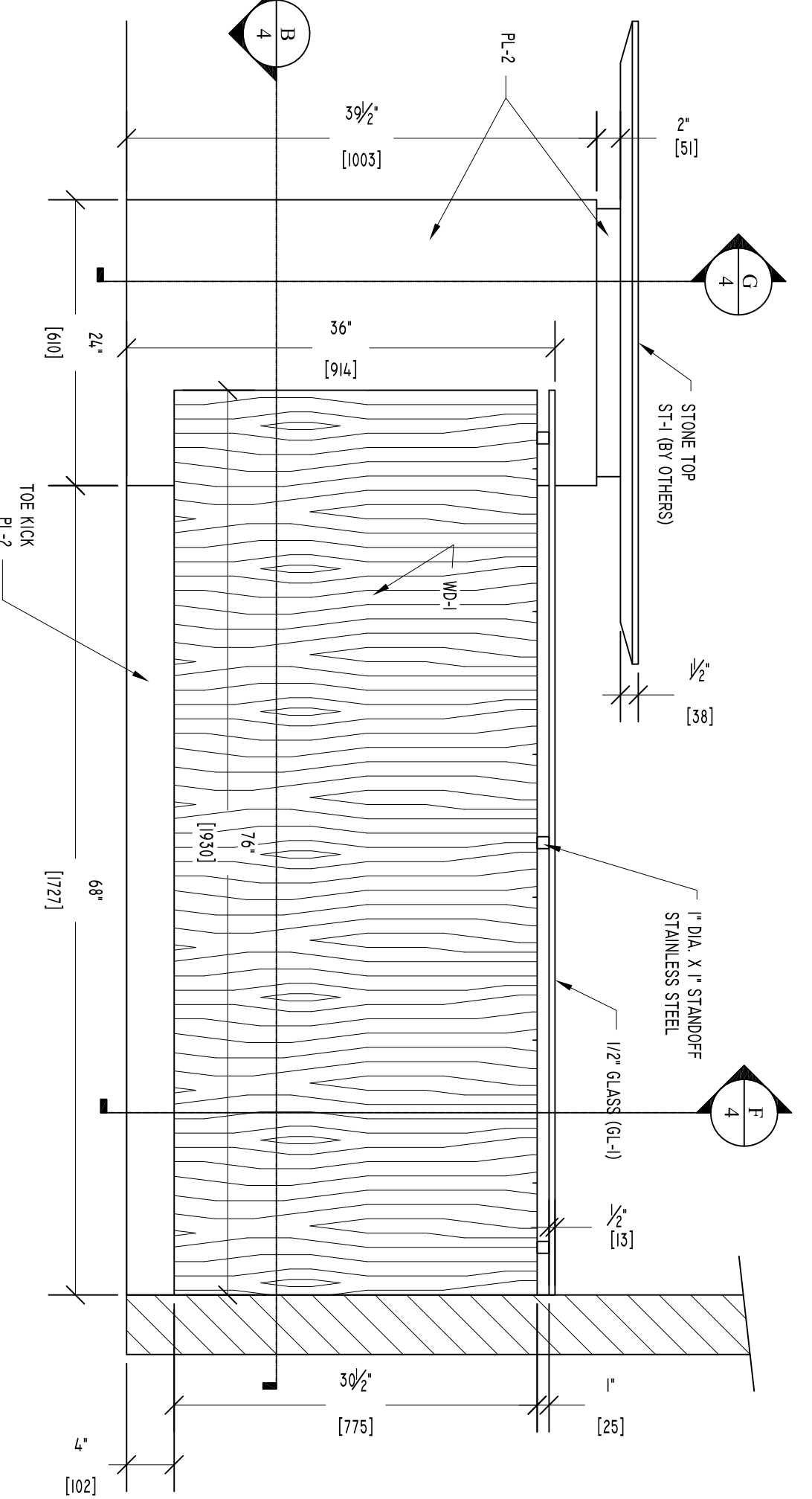
**B**  
SECTION - ASSOCIATES HUB  
SCALE: 1" = 1'-0"  
REF: NONE



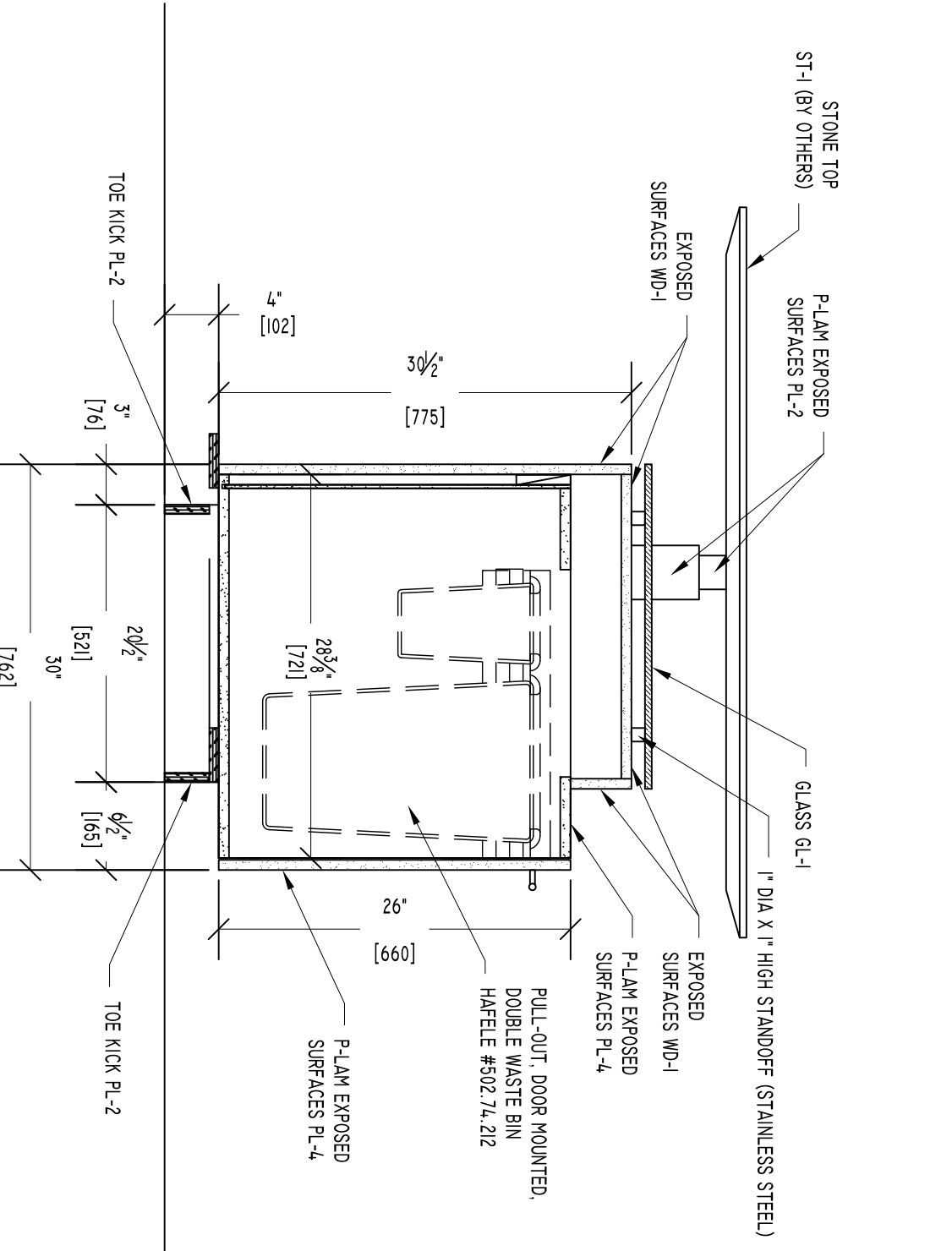
**C**  
ELEVATION - ASSOCIATES HUB  
SCALE: 1" = 1'-0"  
REF: 2/A7.64



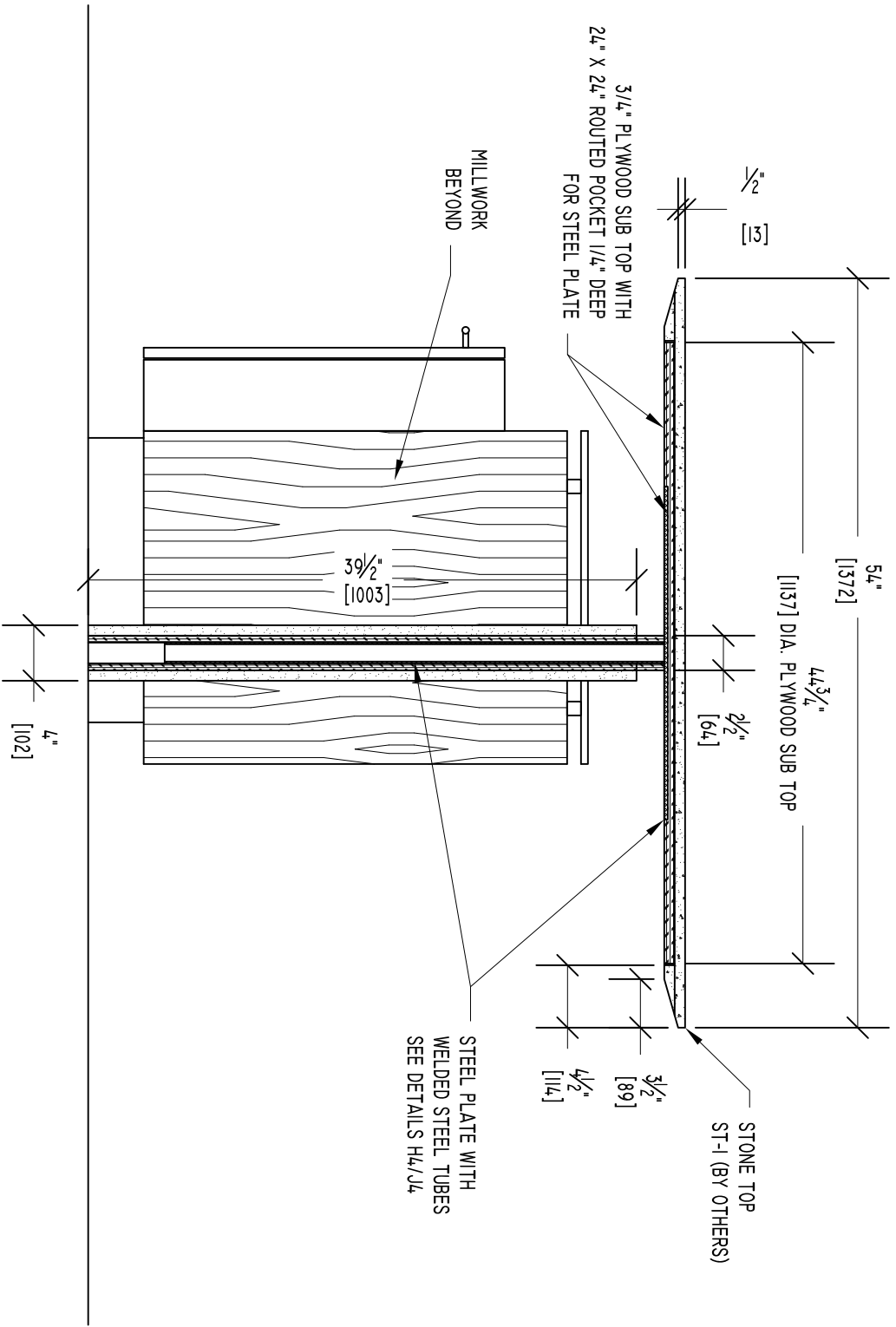
**D**  
ELEVATION - ASSOCIATES HUB  
SCALE: 1" = 1'-0"  
REF: 3/A7.64



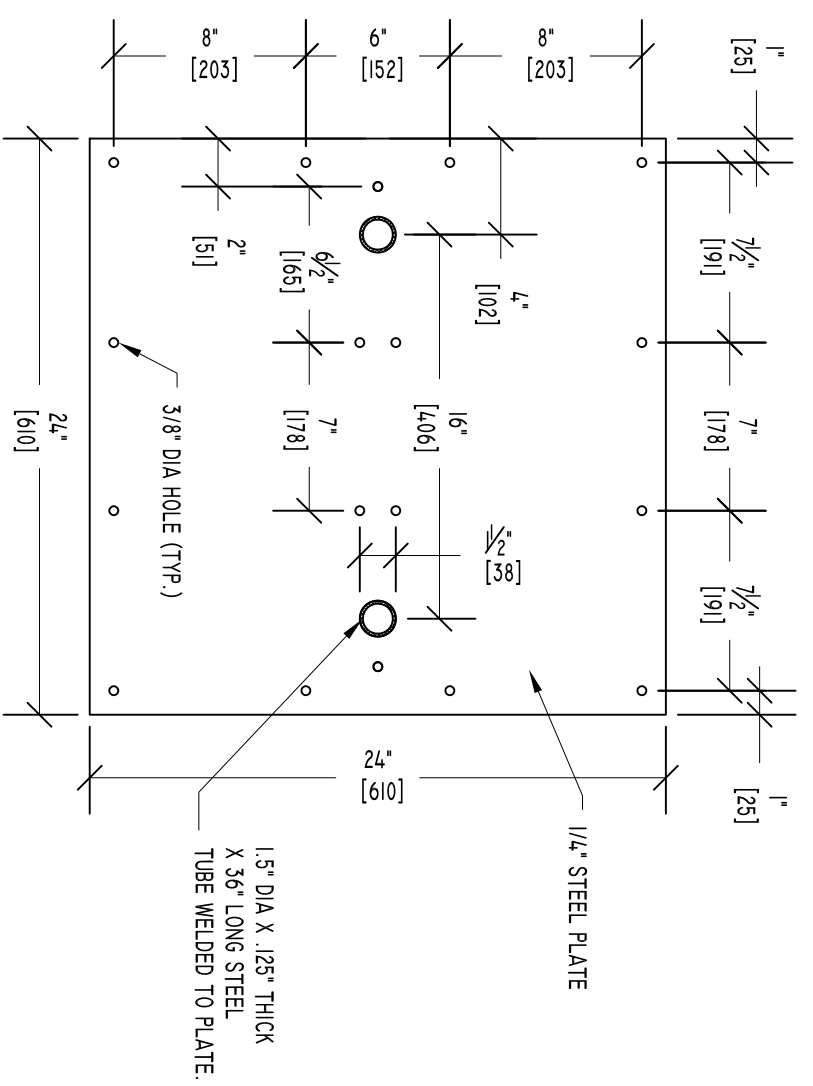
**E**  
ELEVATION - ASSOCIATES HUB  
SCALE: 1" = 1'-0"  
REF: 3/A7.64



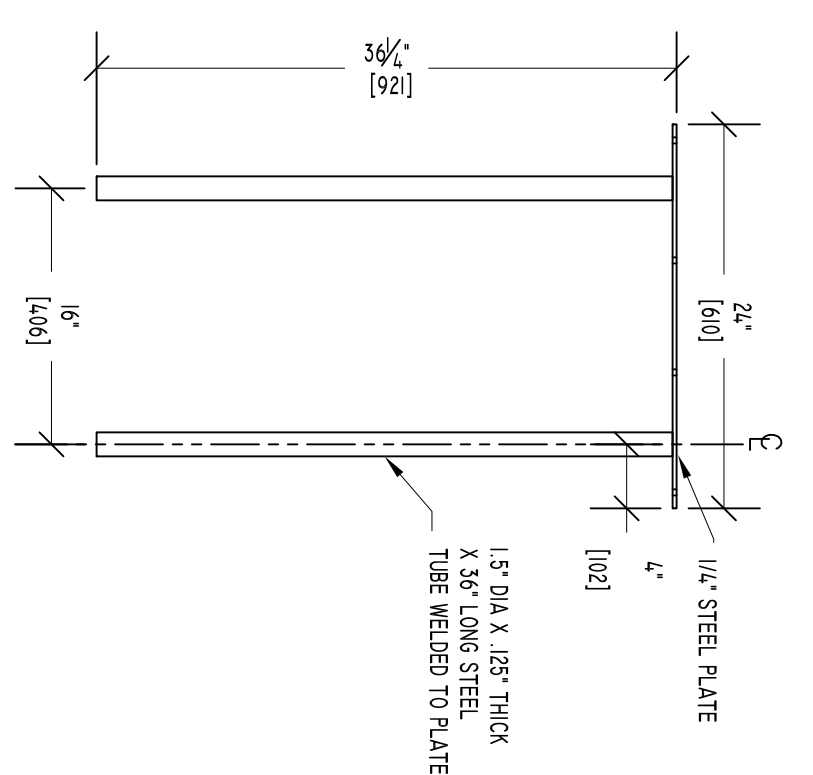
**F**  
SECTION - ASSOCIATES HUB  
SCALE: 1" = 1'-0"  
REF: 5/A7.64



**G**  
SECTION - ASSOCIATES HUB  
SCALE: 1" = 1'-0"  
REF: NONE



**H**  
PLAN - STEEL PLATE  
SCALE: 1/2" = 1'-0"  
REF: 7/A7.64



**I**  
ELEVATION - STEEL PLATE  
SCALE: 1" = 1'-0"  
REF: NONE

# CAMPOSTELLA BUILDERS AND SUPPLY

CUSTOM ARCHITECTURAL MILLWORK AND INSTITUTIONAL CASEWORK SINCE 1947

1109 POPPLETON STREET NORFOLK, VIRGINIA, 23523

PH: 757-545-3212, FAX 757-545-9353, EMAIL ADMIN@CAMPOSTELLA.COM

JOB NAME:  
**NORFOLK MIGRATION**  
NORFOLK, VA

CONTRACTOR:  
**DPR CONSTRUCTION**  
FALLS CHURCH, VA

ARCHITECT:  
**NELCO ARCHITECTURE**  
BALTIMORE, MD



NO.	DATE	REVISIONS

BY: GSP	CHECK: GRC
DATE: NOVEMBER 25, 2008	JOB NO. 57490
DWG. NO. 4	